



CLASS 'A' SCEC ENDORSED STRONGROOM DOOR & FRAME

T.D.R. TORCH & DRILL RESISTING



SECURITY CONSTRUCTION AND
EQUIPMENT COMMITTEE ENDORSED (SCEC)



CLASS 'A' SCEC ENDORSED STRONGROOM DOOR & FRAME

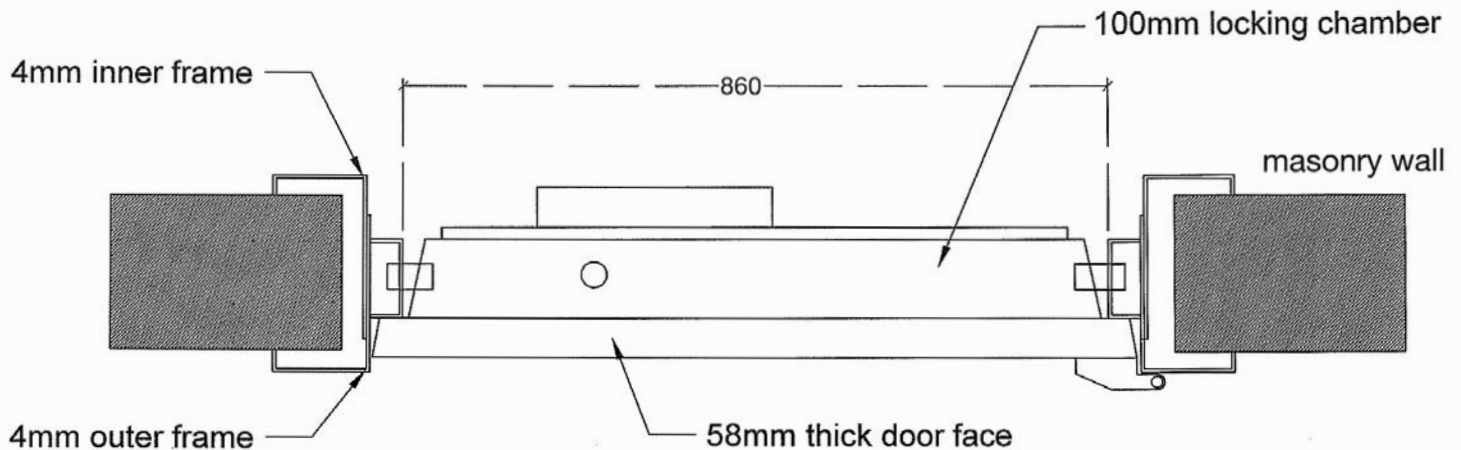
T.D.R. TORCH & DRILL RESISTING

ALL CMI SAFES COME WITH A FIVE YEAR WARRANTY, EXCLUDING FREIGHT AND TRAVELLING, WITH A 12 MONTH WARRANTY ON LOCKS.

FEATURES:

- Duel Yoked KABA X10 locks or Manifoil Mark 4 combination locks.
- Glass activated deadlocking relocking devices are provided within the door as standard.
- Overall door thickness of 180mm including section combining laminations of alloy and refractory material to resist oxy acetylene and drill attack.
- Emergency internal release mechanism fitted as standard.
- Resisting to:
 - Oxy-Acetylene attack
 - Drills and abrasive grinders
 - Explosives and force
 - Pneumatic and hydraulic tools
- Micro switches to confirm door is shut and locking mechanism locked and KABA X10 lock is locked.

Security construction and equipment committee endorsed (SCEC)



MODEL	KGS	CLEAR DOOR OPENING	CLEAR MASONRY OPENING REQUIRED	PRICE INCL. GST	DELIVERY & INSTALLATION LEVEL ACCESS INCL. GST
G-CRD2A	1155	1980 x 710	2060 x 870	\$	\$
G-CRD4A	1215	1980 x 860	2060 x 1010	\$	

When ordering please state if left or right hand hinging required and existing wall thickness.

FIRE RESISTANCE: The Class 'A' Door and Frame has been designed to be fire resisting for one hour.

CMI SAFE CO.

ABN 20 118 637 245

Head Office: 244 West Street, Carlton NSW 2218

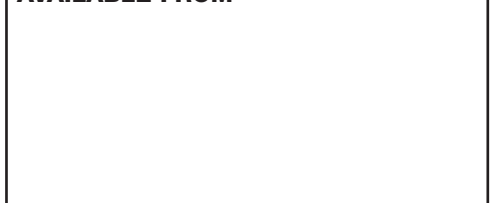
Phone: (02) 9547 1488 Fax: (02) 9547 2104

Website: www.cmisafe.com.au

Email: sales@cmisafe.com.au



AVAILABLE FROM



MADE IN AUSTRALIA